

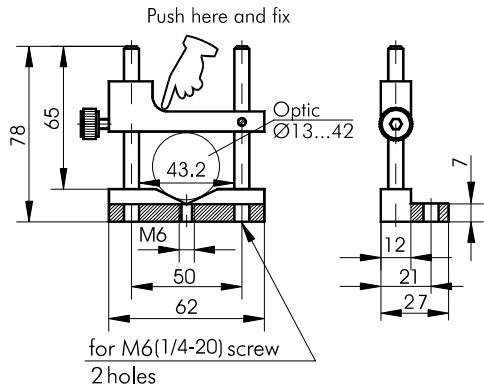
## Push Holder

**4H29**

- Special method of fixation
- Holds optics of 12.5 to 42 mm diameter
- Holds thin lenses or long-barrel lens assemblies



**Push Holders 4H29** holds optics of any shape or configuration: round and rectangular, with negligible loss of clear aperture, even at large angles of incidence. The top support is clamped in position pushing the special place and tightening the knurled screw. This provides gentle but firm fixation. After mounting the component and holder can be exchanged completely as one unit. The Push Holder 4H29 are made of black anodized aluminium.

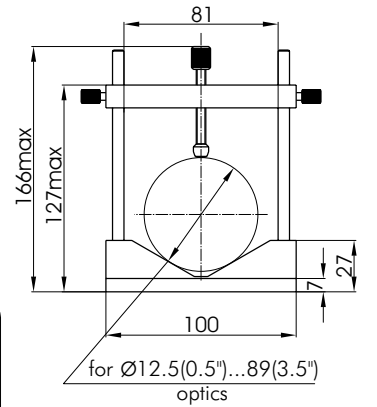


Weight: **0.14 kg**

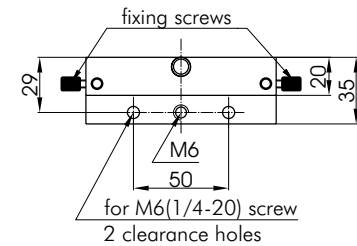
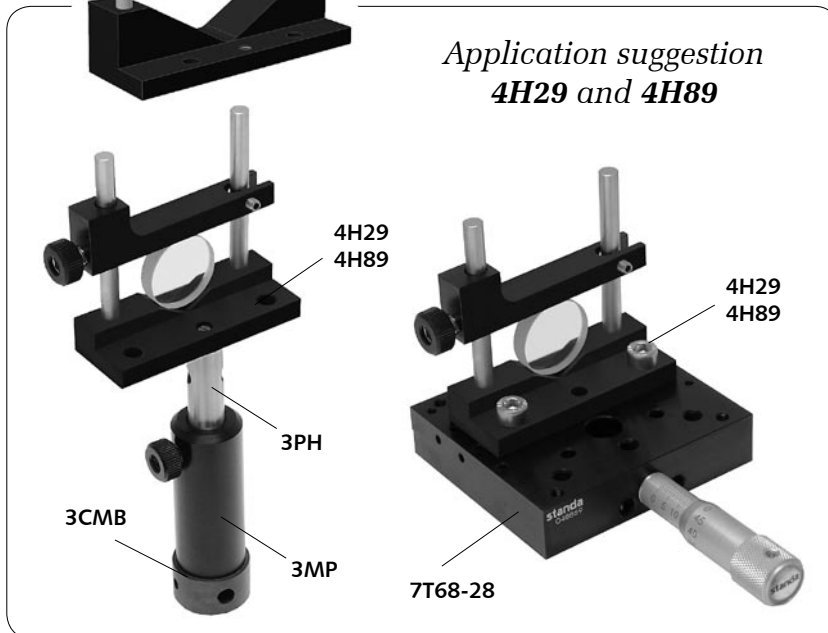
## Adjustable Height V-Mount

**4H89**

- Special method of fixation
- Holds optics of 12.5 mm (0.5") to 89 mm (3.5") diameter
- Clamping screw with V-shaped swivel head
- Material: black anodized aluminium
- Weight 0.1 kg



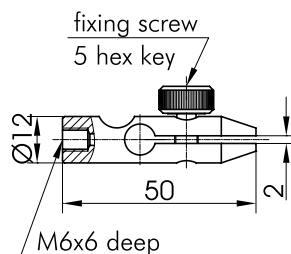
*Application suggestion  
4H29 and 4H89*



**NEW**

## Plate Clamp

**4PC69**



**Plate Clamp 4PC69** holds thin light-weight plates, like filters, transparencies, resolution targets and razor blades used in knife edge experiments.

These black finished steel Clamps may be **directly** screwed for example to the mounting stud of a Mounting Post **3MP6** or to a Base Plate with Rotary Clamp **3EXC45**.

Weight: **0.04 kg**



http://www.standa.it

e-mail: sales@standa.it



Phone: +370-5-2651483

Fax: +370-5-2651474



**standa**



|                                      |    |
|--------------------------------------|----|
| Optical Tables                       | 1  |
| Brackets & Rails                     | 2  |
| Base Mounts & Accessories            | 3  |
| Optical Mounts                       | 4  |
| Optical Positioners                  | 5  |
| Base Positioners                     | 6  |
| Translation & Rotation Stages        | 7  |
| Motorised Positioners & Controllers  | 8  |
| Fine Adjustment Screws               | 9  |
| Opto-Mechanics & Sets                | 10 |
| Light Test & Measurement Instruments | 11 |