

Budget Kinematic Optical Mounts

NEW

LOW-COST VERSION

- Handy two orthogonal angular adjustments
- 9° range
- Sensitivity 3 arcsec
- M6×0.25 adjustment screws provide precise kinematic control
- Made of black anodized aluminium

Budget Kinematic Optical Mounts are designed for angular alignment of optical elements, in a range of 9° in both orthogonal axes.

The **tilting** element is always true-kinematic-registered.

The Mounts are produced of **black anodized aluminium**. Custom colors are available on request.

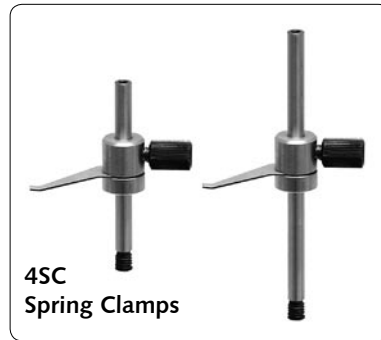
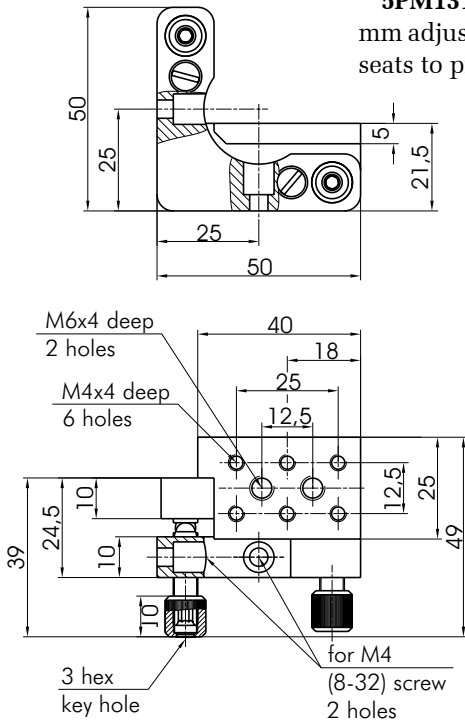
Prism/Optics Mount

5PM131

Prism Mount 5PM131 provides basic mounting for prisms, beamsplitter, cubes and etc. **Spring clamps 4SC series** should be ordered separately. This mount is metric compatible.

5PM131 Mounts are equipped with fine pitch M6x0.25 mm adjustment screws, which rest upon hardened steel seats to provide reliable and repeatable adjustment.

Weight **0.1 kg**

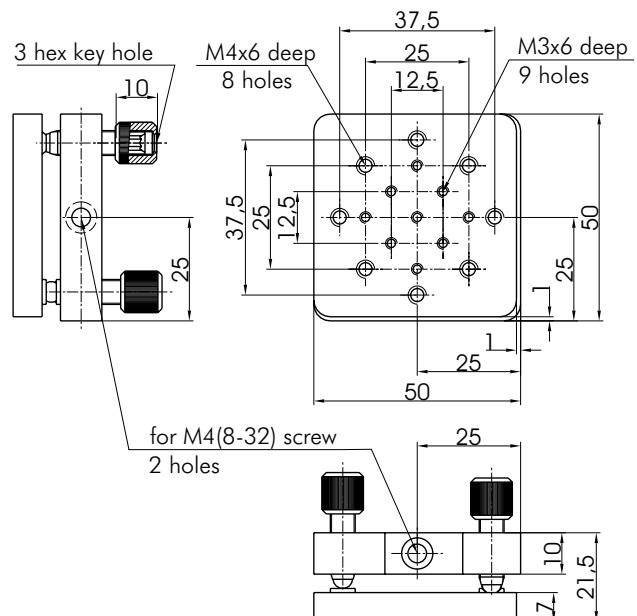
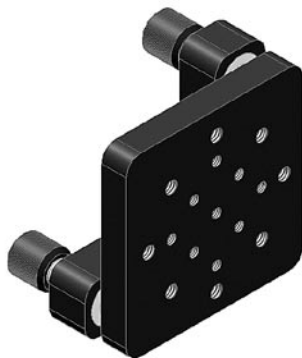


"Right-hand" version available



Universal Platform Mount

5UM131



Universal Platform Mount 5UM131 is designed for precise adjustments of various optical components which can be directly bound to it. The mount can be also used horizontally for tip/tilt adjustment.

Weight **0.11 kg**



http://www.standa.it



e-mail: sales@standa.it



Phone: +370-5-2651483

Fax: +370-5-2651474



standa

- Optical Tables 1
- Brackets & Rails 2
- Base Mounts & Accessories 3
- Optical Mounts 4
- Optical Positioners 5
- Base Positioners 6
- Translation & Rotation Stages 7
- Motorised Positioners & Controllers 8
- Fine Adjustment Screws 9
- Opto-Mechanics & Sets 10
- Light Test & Measurement Instruments 11