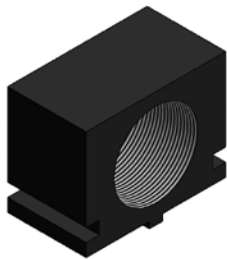
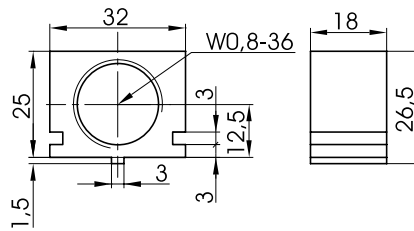


Microscope Objective Holder

7FA2



- Standard RMS
- Microscope objective thread
- Wide range of micro objectives (see page 10-2)
- Compatible with 7TF2



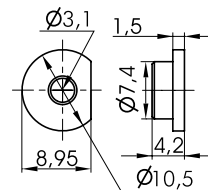
e-mail: sales@standa.it

Lock-Down Clamp

3WFA-01



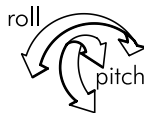
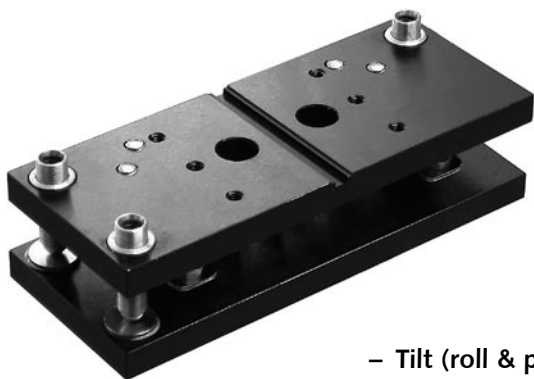
- Compatible with 7TF2
- This clamps are used to fix the accessories to the mounting platform of the 7TF2.



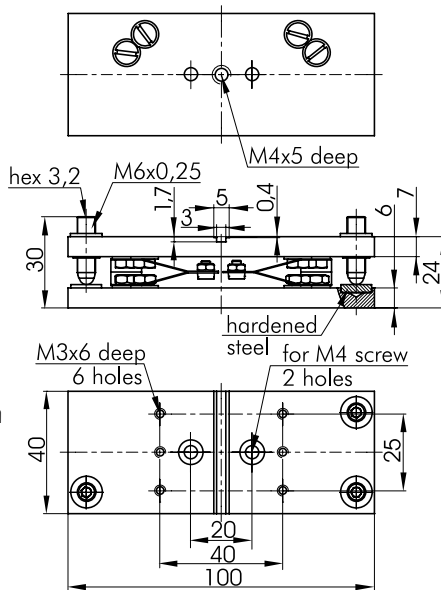
http://www.standa.it

Roll & Pitch Tilt Platform

7FA3



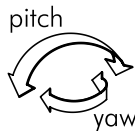
- Tilt (roll & pitch) platform
- Travel in z axis: -2mm, +4mm
- Travel roll, pitch $\pm 4^\circ$
- Resolution 10arcsec
- Compatible with 7TF2



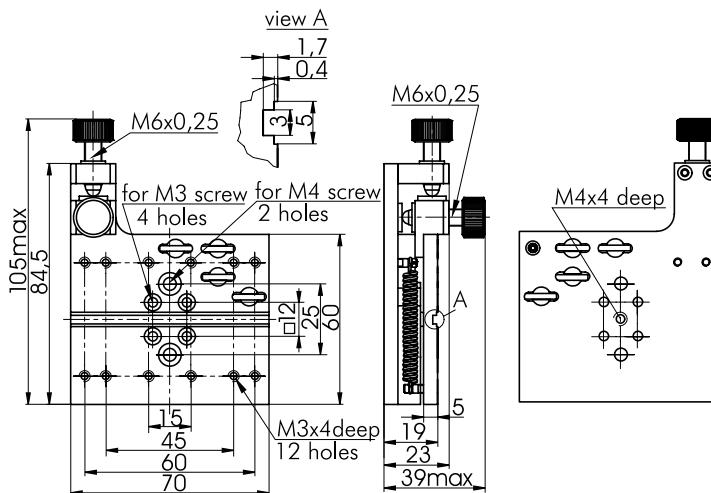
Phone: +370-5-2651474 Fax: +370-5-2651483

Pitch & Yaw Platform

7FA5



- Pitch yaw platform
- Yaw $\pm 4^\circ$
- Pitch $\pm 3^\circ$
- Resolution 10 arcsec
- Compatible with 7TF2



standa