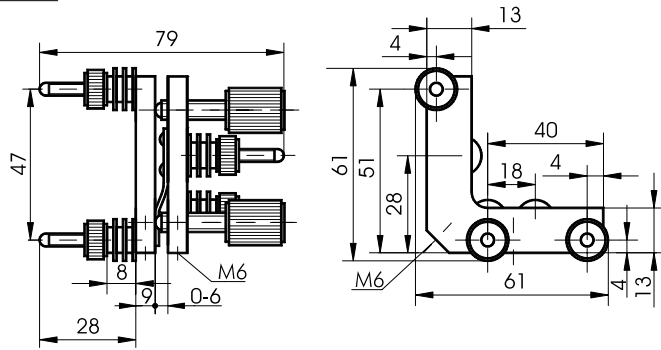


Multiple Filter Mount

5FM57

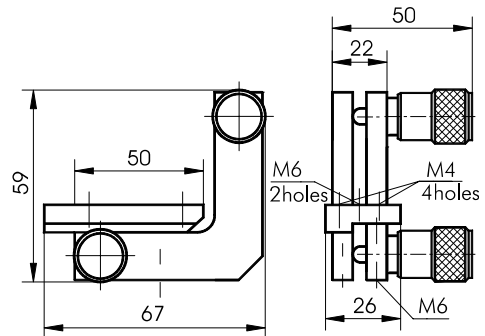


Provides fixation and adjustments about two angular coordinates of up to 6 filters. The thickness of optics plate to be held is from 2 mm to 6 mm.

Weight **0.27 kg**

Prism/Optics Mount

5PM57

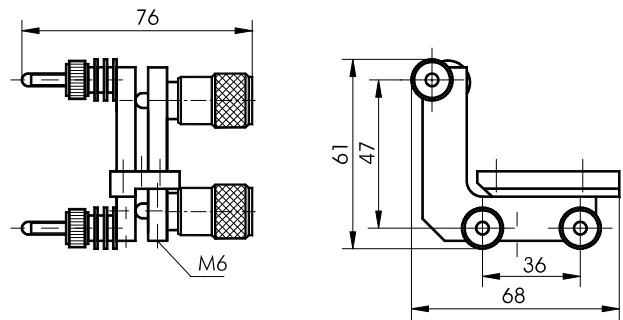


The holder with a platform allows to hold wider optics. Positioning features are the same.

Weight **0.29 kg**

Universal Prism/Optics Mount

5PMF57



The same as 5PM57 with additional filter holder.

Weight **0.31 kg**

Modifications and ordering

Optical Mounts

We supply optical mounts with any type of STANDA driving screws (see section 9).

Examples of codes for mounts:

- 5OM38-20 with 9S65M screws
- 5OM38-20-9S67M with 9S67M screws
- 5OM38-20-9S127M-K5 with 9S127M-K5 screws
- 5OM38-20-9S7C with 9S7C screws



The stage comes with 9S65M screw as standard. You don't have to specify this screw in your order. If you order the stage with alternative screws, please specify this in order, by appending the screw code name to the stage code.

See section 9 for screws and their codes.



http://www.standa.it

e-mail: mberba@ktl.mil.it



Fax: +370-5-2651483

Phone: +370-5-2651474



standa



Optical
Tables

1

Brackets
& Rails

2

Base Mounts
& Accessories

3

Optical
Mounts

4

Optical
Positioners

5

Base
Positioners

6

Translation &
Rotation Stages

7

Motorised Positioners
& Controllers

8

Fine Adjustment
Screws

9

Opto-Mechanics
& Sets

10